

## Multi-contact, Labor-saving, Environment-friendly, Next-generation Safety-door Switch



- Lineup includes three contact models with 2NC/1NO and 3NC contact forms and MBB models in addition to the previous contact forms 1NC/1NO, and 2NC.
- M12-connector models are available, saving on labor and simplifying replacement.
- Standardized gold-clad contacts provide high contact reliability.  
Applicable to both standard loads and microloads.
- Variety of metallic heads available.



Safety Door Switches



Slide Keys

For the most recent information on models that have been certified for safety standards, refer to your OMRON website.

Be sure to read the "Safety Precautions" on page 12.

## Model Number Structure

### Model Number Legend

#### Switch (Standard type)

D4NS-□□□  
1 2 3

- Conduit Outlet/Connector**
  - 1:Pg13.5 (1-conduit type)
  - 2:G1/2 (1-conduit type)
  - 4:M20 (1-conduit type)
  - 6:G1/2 (2-conduit type)
  - 8:M20 (2-conduit type)
  - 9:M12 connector (1-conduit type)
- Built-in Switch**
  - A:1NC/1NO (slow-action)
  - B:2NC (slow-action)
  - C:2NC/1NO (slow-action)
  - D:3NC (slow-action)
  - E:1NC/1NO (MBB contact)
  - F:2NC/1NO (MBB contact)
- Head Mounting Direction**
  - F:Four mounting directions possible (Front-side mounting at shipping)/plastic
  - D:Four mounting directions possible (Front-side mounting at shipping)/metal

**Note:** An order for the head part or the switch part alone cannot be accepted. (The Operation Key is sold separately.)

#### Switch (High pull-force type)

D4NS-□□F-SJ  
1 2

- Conduit Outlet**
  - 2:G1/2 (1-conduit type)
  - 4:M20 (1-conduit type)
- Built-in Switch**
  - A:1NC/1NO (slow-action)
  - B:2NC (slow-action)
  - C:2NC/1NO (slow-action)
  - D:3NC (slow-action)

#### Operation Key

D4DS-K□  
1

- Operation Key Type**
  - 1:Horizontal mounting
  - 2:Vertical mounting
  - 3:Adjustable mounting (Horizontal)
  - 5:Adjustable mounting (Horizontal/Vertical)

## Ordering Information



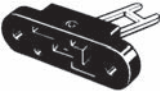
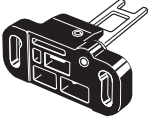
### Switches (Operation Keys are sold separately.)

Consult with your OMRON representative when ordering any models that are not listed in this table.

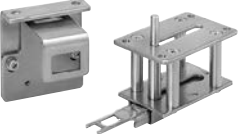

Type	Contact configuration	Conduit outlet/Connector	Model	
1-Conduit type	Slow-action	1NC/1NO	Pg13.5	D4NS-1AF *
			G1/2	D4NS-2AF *
			M20	D4NS-4AF
		2NC	Pg13.5	D4NS-1BF *
			G1/2	D4NS-2BF *
			M20	D4NS-4BF
		2NC/1NO	Pg13.5	D4NS-1CF *
			G1/2	D4NS-2CF *
			M20	D4NS-4CF
	3NC	Pg13.5	D4NS-1DF *	
		G1/2	D4NS-2DF *	
		M20	D4NS-4DF	
	Slow-action MBB contact	1NC/1NO	Pg13.5	D4NS-1EF
			G1/2	D4NS-2EF
			M20	D4NS-4EF
		2NC/1NO	Pg13.5	D4NS-1FF
			G1/2	D4NS-2FF
			M20	D4NS-4FF
2-Conduit type	Slow-action	1NC/1NO	G1/2	D4NS-6AF
			M20	D4NS-8AF
		2NC	G1/2	D4NS-6BF
			M20	D4NS-8BF
		2NC/1NO	G1/2	D4NS-6CF
			M20	D4NS-8CF
	3NC	G1/2	D4NS-6DF	
		M20	D4NS-8DF	
	Slow-action MBB contact	1NC/1NO	G1/2	D4NS-6EF
			M20	D4NS-8EF
		2NC/1NO	G1/2	D4NS-6FF
			M20	D4NS-8FF
1-Conduit type, with connector		Slow-action	M12 connector	D4NS-9AF
				D4NS-9BF
	Slow-action MBB contact	1NC/1NO		D4NS-9EF
1-Conduit type (High pull-force type)	Slow-action	1NC/1NO	G1/2	D4NS-2AF-SJ *
			M20	D4NS-4AF-SJ *
		2NC	G1/2	D4NS-2BF-SJ *
			M20	D4NS-4BF-SJ *
		2NC/1NO	G1/2	D4NS-2CF-SJ *
			M20	D4NS-4CF-SJ *
		3NC	G1/2	D4NS-2DF-SJ *
			M20	D4NS-4DF-SJ *

\* Models with Korean S-mark certification.

**Operation Keys**

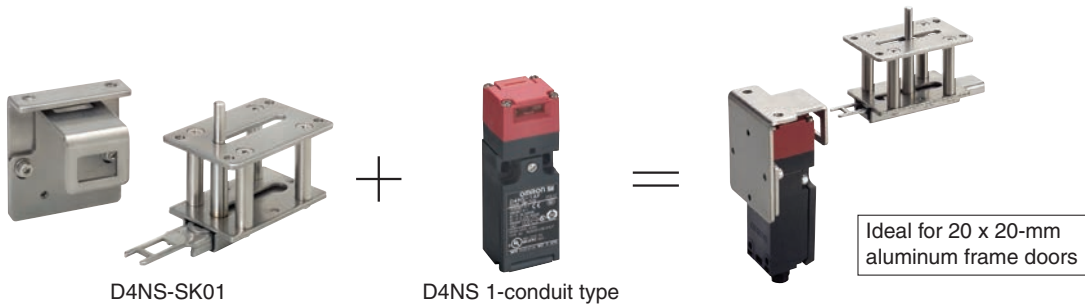
Type	Model
Horizontal mounting 	<b>D4DS-K1</b>
Vertical mounting 	<b>D4DS-K2</b>
Adjustable mounting (Horizontal) 	<b>D4DS-K3</b>
Adjustable mounting (Horizontal/Vertical) 	<b>D4DS-K5</b>

**Slide Keys**

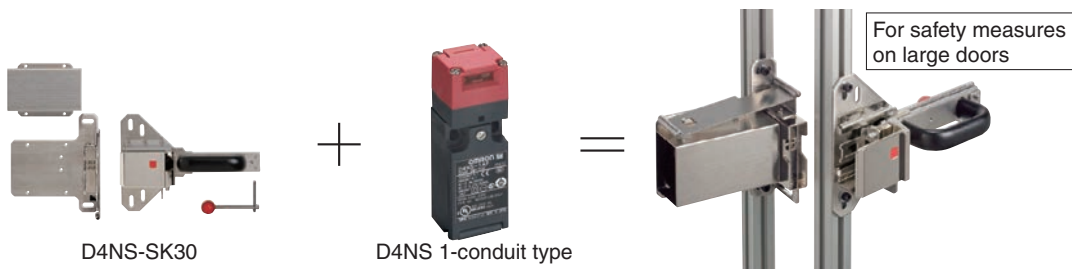
Appearance	Specifications	Contents	Model	Applicable Door Switch
	Weight: 422 g Mechanical durability: 20,000 operations min.	Slide Key (Operation Key included.): 1 Auxiliary mounting bracket: 1 Receptacle bracket: 1	<b>D4NS-SK01</b>	D4NS 1-conduit type
	Weight: 2,800 g Mechanical durability: 20,000 operations min.	Slide Key: 1 (Disable-prevention cover and Operation Key D4DS-K2 are already mounted on Slide Key) D4NS mounting tool: 1 Inner lever: 1 Inner lever mounting screws: 2 Door Switch mounting one-way screws: 2 Switch protective cover: 1 Switch protective cover screws: 4	<b>D4NS-SK30</b>	D4NS 1-conduit type

## Slide Keys

### D4NS-SK01 Configuration



### D4NS-SK30 Configuration



**Close door.**

Magnetic catches prevent the operator from accidentally opening the door.

**Open door.**

Operation display window lets you visually confirm Key insertion.

L-shaped key guard prevents Key from being damaged.

**Open door.**

Set the disable-prevention cover with a pad lock to prevent an operator from disabling the open condition.

The handle-shaped fixture makes it easy to use the Door Switch.

## Specifications

### Standards and EC Directives

#### Conforms to the following EC Directives:

- Machinery Directive
- Low Voltage Directive
- EN50047
- EN60947-5-1
- EN ISO 14119
- GS-ET-15

#### Certified Standards

Certification body	Standard	File No.
TÜV SÜD	EN60947-5-1 (certified direct opening)	Consult your OMRON representative for details.
UL #1	UL508, CSA C22.2 No.14	E76675
CQC (CCC)	GB/T 14048.5	Consult your OMRON representative for details.
KOSHA #2	EN60947-5-1	Consult your OMRON representative for details.

\*1. Certification for CSA C22.2 No. 14 is authorized by the UL mark.

\*2. Only certain models have been certified.

### Certified Standard Ratings

#### TÜV (EN60947-5-1), CCC (GB/T 14048.5)

Item	Utilization category	AC-15	DC-13
Rated operating current (I <sub>e</sub> )		3 A	0.27 A
Rated operating voltage (U <sub>e</sub> )		240 V	250 V

**Note:** Use a 10 A fuse type gI or gG that conforms to IEC60269 as a short-circuit protection device. This fuse is not built into the Switch.

#### UL/CSA (UL508, CSA C22.2 No. 14)

##### A300

Rated voltage	Carry current	Current (A)		Volt-amperes (VA)	
		Make	Break	Make	Break
120 VAC	10 A	60	6	7,200	720
240 VAC		30	3		

##### Q300

Rated voltage	Carry current	Current (A)		Volt-amperes (VA)	
		Make	Break	Make	Break
125 VDC	2.5 A	0.55	0.55	69	69
250 VDC		0.27	0.27		

### Characteristics

<b>Interlock type</b>		Type 2 (EN ISO 14119)
<b>Coding level</b>		Low level coded (EN ISO 14119)
<b>Degree of protection *1</b>		IP67 (EN60947-5-1)
<b>Durability *2</b>	<b>Mechanical</b>	<Standard type> 1,000,000 operations min. <High pull-force type> 100,000 operations min.
	<b>Electrical</b>	<Standard type> 500,000 operations min. (3 A resistive load at 250 VAC) *3 300,000 operations min. (10 A resistive load at 250 VAC) <High pull-force type> 100,000 operations min. (10 A resistive load at 250 VAC)
<b>Operating speed</b>		0.05 to 0.5 m/s

<b>Direct opening force *4</b>		<Standard type> 60 N min. <High pull-force type> 80 N min.
<b>Direct opening travel *4</b>		10 mm min.
<b>Contact resistance</b>		25 mΩ max.
<b>Minimum applicable load *5</b>		1 mA resistive load at 5 VDC (N-level reference value)
<b>Rated insulation voltage (U<sub>i</sub>)</b>		300 V
<b>Rated frequency</b>		50/60 Hz
<b>Protection against electric shock</b>		Class II (double insulation) <input type="checkbox"/>
<b>Pollution degree (operating environment)</b>		3 (EN60947-5-1)
<b>Impulse withstand voltage (U<sub>imp</sub>) (EN60947-5-1)</b>	<b>Between terminals of same polarity</b>	2.5 kV
	<b>Between terminals of different polarity</b>	4 kV
	<b>Between each terminal and non-current carrying metallic parts</b>	6 kV
<b>Insulation resistance</b>		100 MΩ min.
<b>Contact gap</b>		2 × 2 mm min.
<b>Vibration resistance</b>	<b>Malfunction</b>	10 to 55 Hz, 0.75 mm single amplitude
<b>Shock resistance</b>	<b>Destruction</b>	1,000 m/s <sup>2</sup> min.
	<b>Malfunction</b>	300 m/s <sup>2</sup> min.
<b>Conditional short-circuit current</b>		100 A (EN60947-5-1)
<b>Conventional free air thermal current (I<sub>th</sub>)</b>		10 A (EN60947-5-1)
<b>Ambient operating temperature</b>		-30 to 70°C (with no icing)
<b>Ambient operating humidity</b>		95% max.
<b>Weight</b>		Approx. 96 g (D4NS-1CF)

**Note:** 1. The above values are initial values.

2. The Switch contacts can be used with either standard loads or microloads. Once the contacts have been used to switch a load, however, they cannot be used to switch smaller loads. The contact surfaces will become rough once they have been used and contact reliability for smaller loads may be reduced.

\*1. The degree of protection is tested using the method specified by the standard (EN60947-5-1). Confirm that sealing properties are sufficient for the operating conditions and environment beforehand. Although the switch box is protected from dust or water penetration, do not use the D4NS in places where foreign material may enter through the key hole on the head, otherwise Switch damage or malfunctioning may occur.

\*2. The durability is for an ambient temperature of 5 to 35°C and an ambient humidity of 40% to 70%. For more details, consult your OMRON representative.

\*3. Do not pass the 3 A, 250 VAC load through more than 2 circuits.

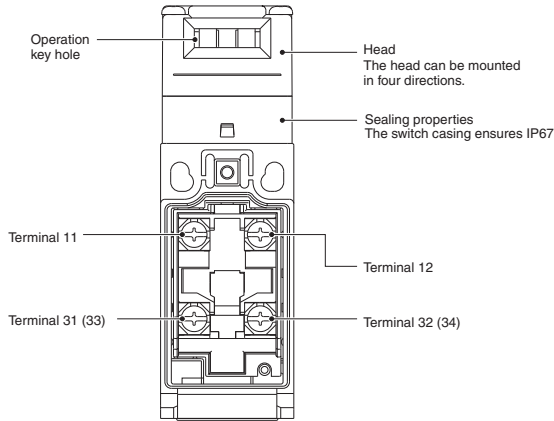
\*4. These figures are minimum requirements for safe operation.

\*5. This value will vary with the switching frequency, environment, and reliability level. Confirm that correct operation is possible with the actual load beforehand.

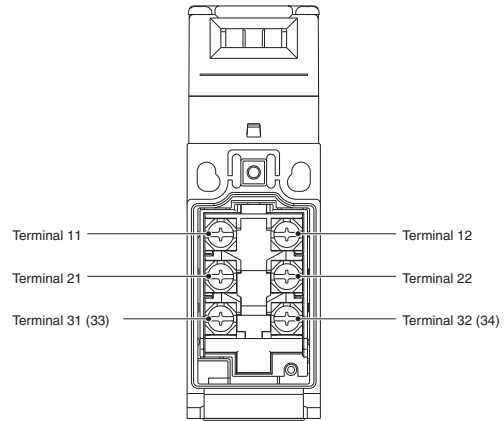
# Structure and Nomenclature

## Structure

D4NS-□A□, D4NS-□B□, D4NS-□E□,  
D4NS-□AF-SJ, D4NS-□BF-SJ



D4NS-□C□, D4NS-□D□, D4NS-□F□,  
D4NS-□CF-SJ, D4NS-□DF-SJ



Note: The 2-conduit types have the same terminal arrangement.

## Model and Contact Configuration

Diagrams Show State with Key Inserted.

Model	Contact	Contact form	Operating pattern	Remarks
D4NS-□A□ D4NS-□AF-SJ	1NC/1NO			Only NC contacts 11-12 have a certified direct opening mechanism. (→) The terminals 11-12 and 33-34 can be used as unlike poles.
D4NS-□B□ D4NS-□BF-SJ	2NC			NC contacts 11-12 and 31-32 have a certified direct opening mechanism. (→) The terminals 11-12 and 31-32 can be used as unlike poles.
D4NS-□C□ D4NS-□CF-SJ	2NC/1NO			NC contacts 11-12 and 21-22 have a certified direct opening mechanism. (→) The terminals 11-12, 21-22, and 33-34 can be used as unlike poles.
D4NS-□D□ D4NS-□DF-SJ	3NC			NC contacts 11-12, 21-22, and 31-32 have a certified direct opening mechanism. (→) The terminals 11-12, 21-22, and 31-32 can be used as unlike poles.
D4NS-□E□	1NC/1NO MBB *			Only NC contacts 11-12 have a certified direct opening mechanism. (→) The terminals 11-12 and 33-34 can be used as unlike poles.
D4NS-□F□	2NC/1NO MBB *			NC contacts 11-12 and 21-22 have a certified direct opening mechanism. (→) The terminals 11-12, 21-22 and 33-34 can be used as unlike poles.

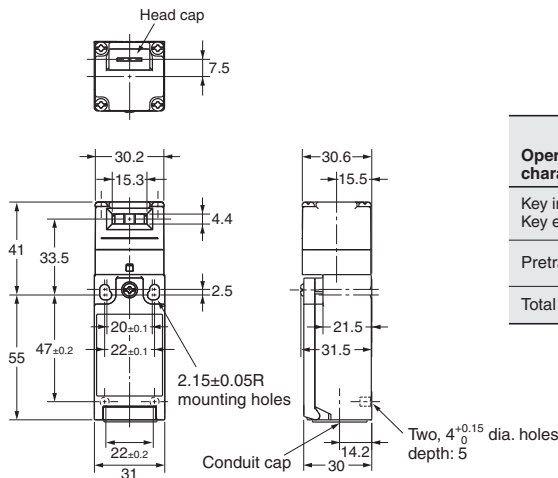
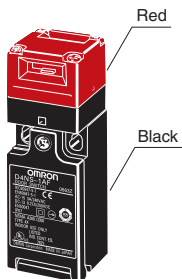
\* MBB (Make Before Break) contacts have an overlapping structure, so that before the normally closed contact (NC) opens, the normally open contact (NO) closes.

# Dimensions

## Dimensions and Operating Characteristics

### 1-Conduit Types

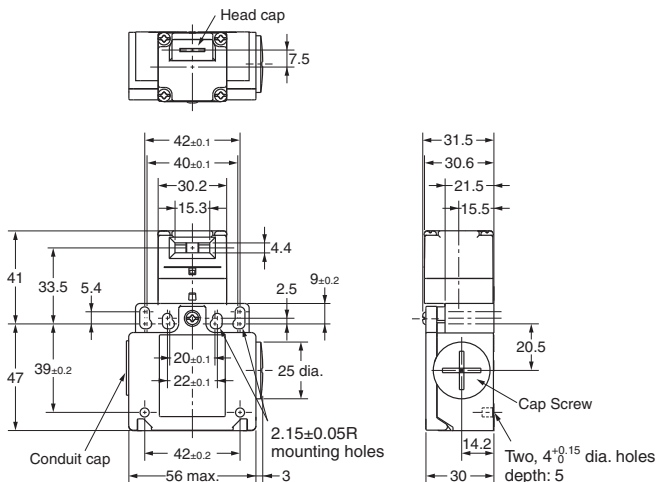
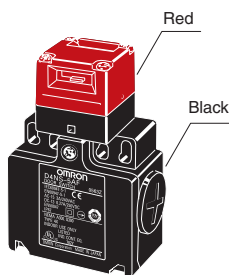
- D4NS-1□F
- D4NS-2□F
- D4NS-4□F
- D4NS-2□F-SJ
- D4NS-4□F-SJ



Operating characteristics	Model	D4NS-1□F D4NS-2□F D4NS-4□F	D4NS-2□F-SJ D4NS-4□F-SJ
	Key insertion force Key extraction force		15 N max. 30 N max.
Pretravel (PT)		6±3 mm	6±3 mm
Total travel (TT)		(28 mm)	(28 mm)

### 2-Conduit Types

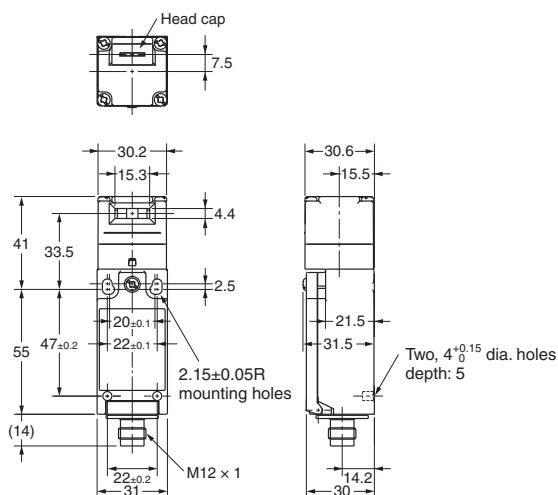
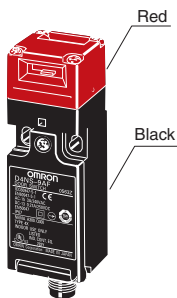
- D4NS-6□F
- D4NS-8□F



Operating characteristics	Model	D4NS-6□F D4NS-8□F
	Key insertion force Key extraction force	
Pretravel (PT)		6±3 mm
Total travel (TT)		(28 mm)

### 1-Conduit Connector Types

- D4NS-9□F

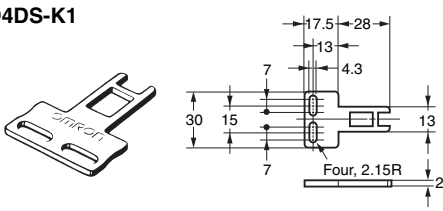


Operating characteristics	Model	D4NS-9□F
	Key insertion force Key extraction force	
Pretravel (PT)		6±3 mm
Total travel (TT)		(28 mm)

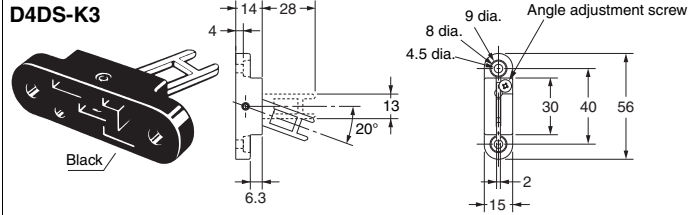
**Note: 1.** Unless otherwise specified, a tolerance of ±0.4 mm applies to all dimensions.  
**2.** There are fluctuations in the contact ON/OFF timing for Switches with multiple poles (2NC, 2NC/1NO, or 3NC). Confirm performance before application.

Operation Keys

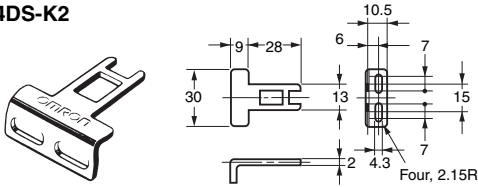
D4DS-K1



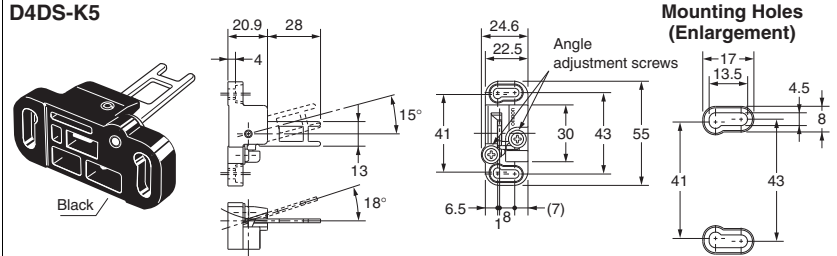
D4DS-K3



D4DS-K2



D4DS-K5

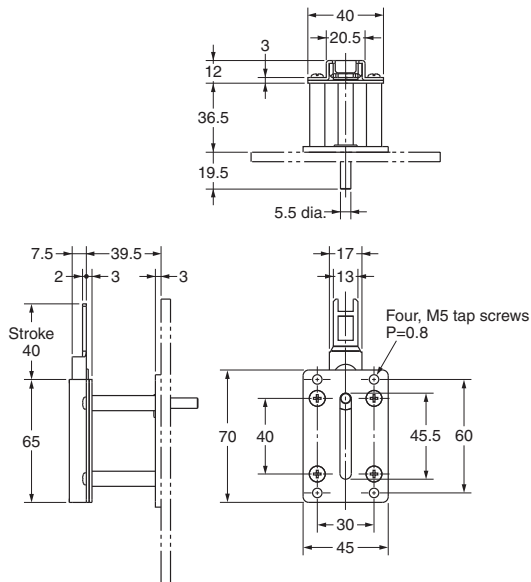


Note: Unless otherwise specified, a tolerance of  $\pm 0.4$  mm applies to all dimensions.

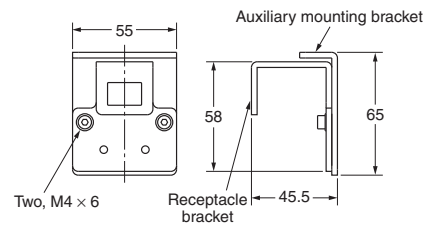
Slide Keys

D4NS-SK01

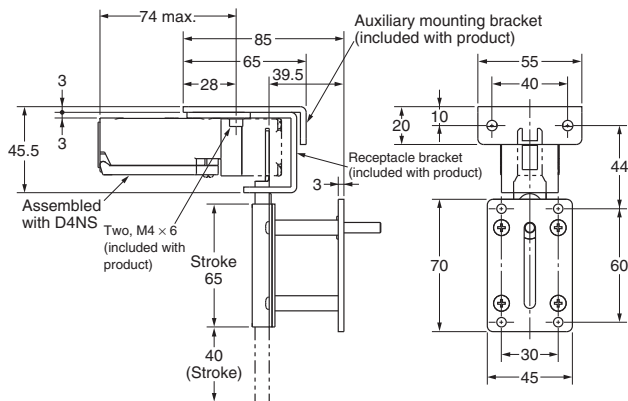
Main Body



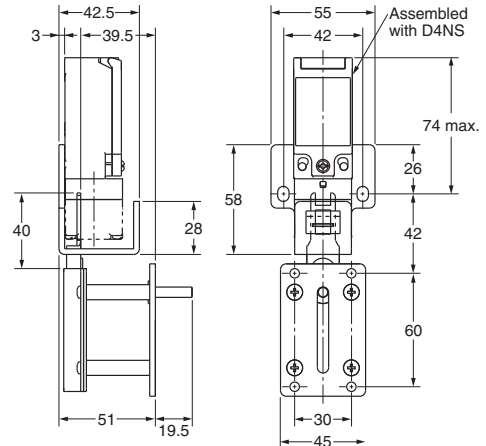
Auxiliary Mounting Bracket and Receptacle Bracket



Switch Mounting Pattern 1



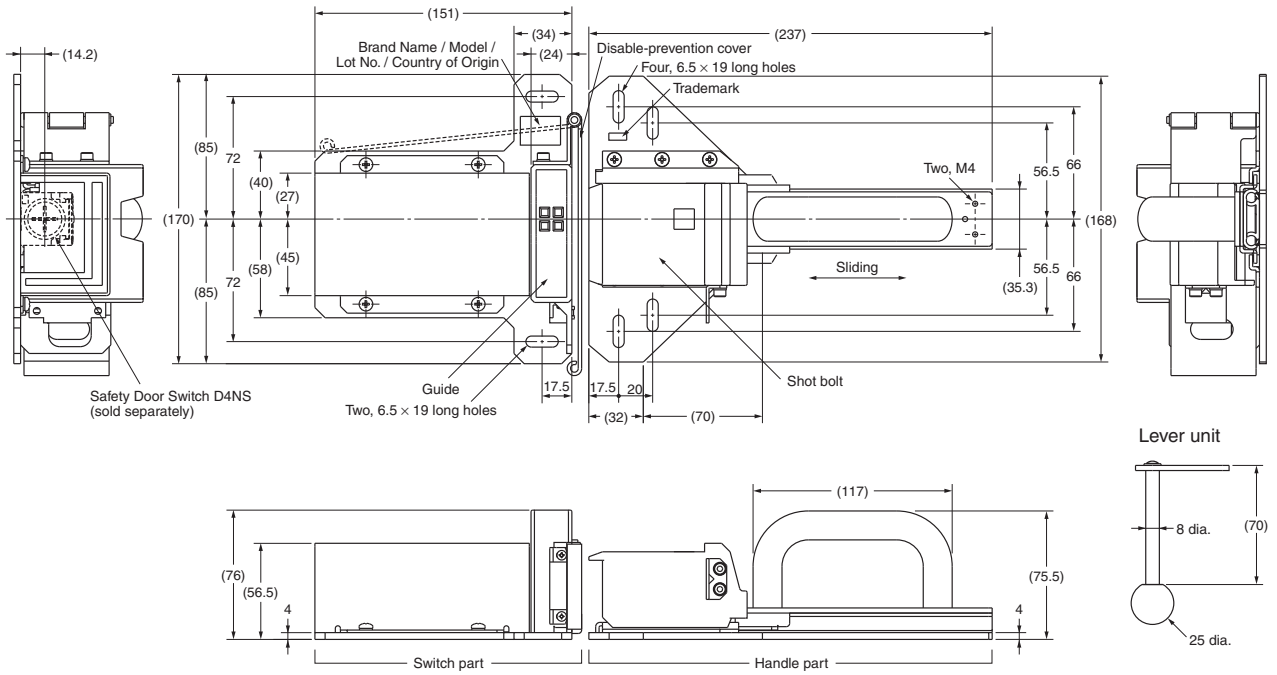
Switch Mounting Pattern 2



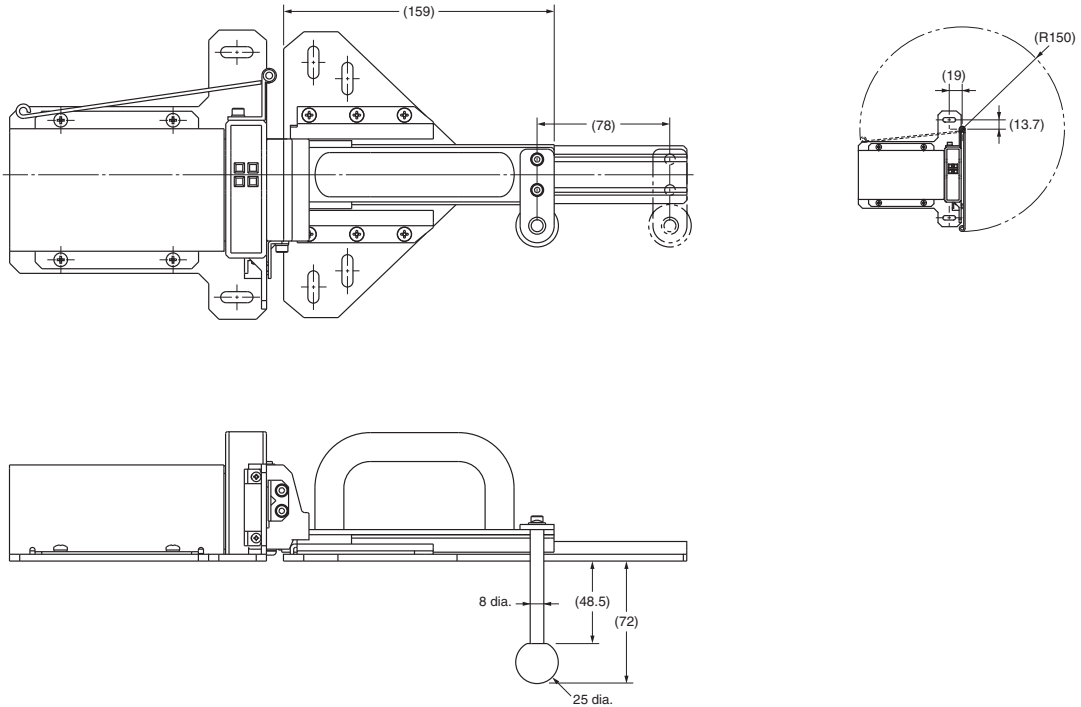


D4NS-SK30

Open Door

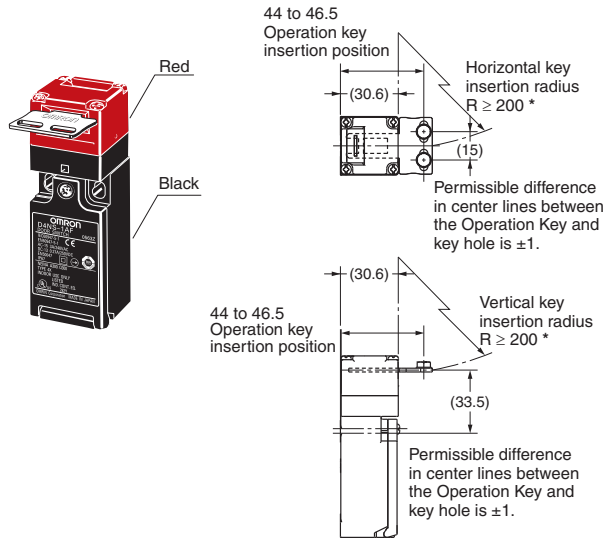


Closed Door

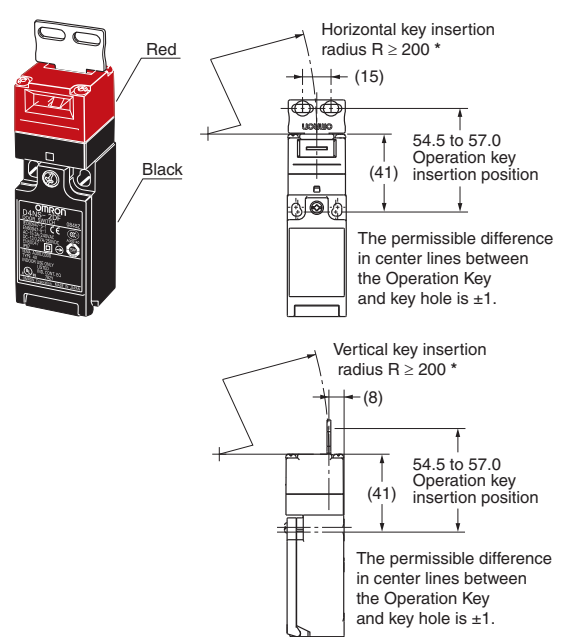


With Operation Key Inserted (Relationship between Insertion Radius, Operation Key and Key Hole)

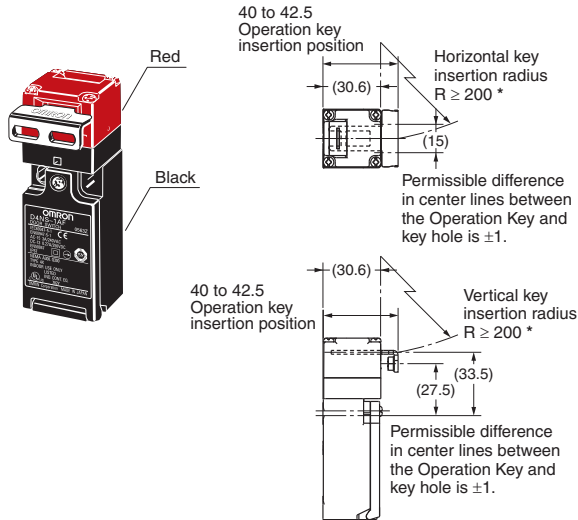
D4NS-1□F + D4DS-K1  
(with Front-inserted Operation Key)



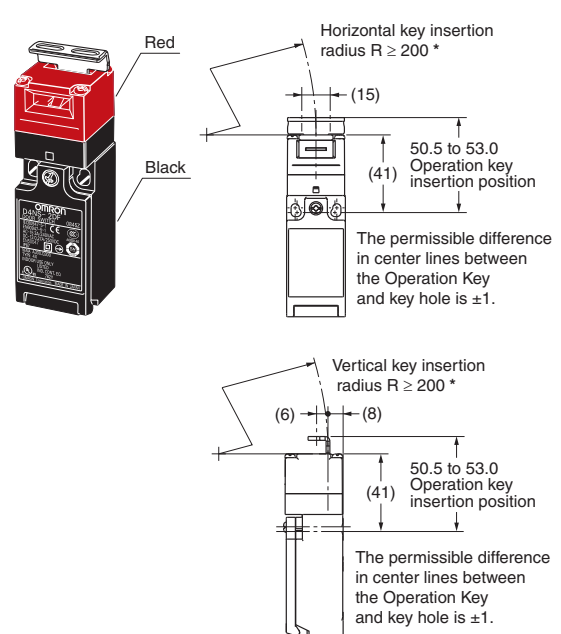
D4NS-1□F + D4DS-K1  
(with Top-inserted Operation Key)



D4NS-1□F + D4DS-K2  
(with Front-inserted Operation Key)



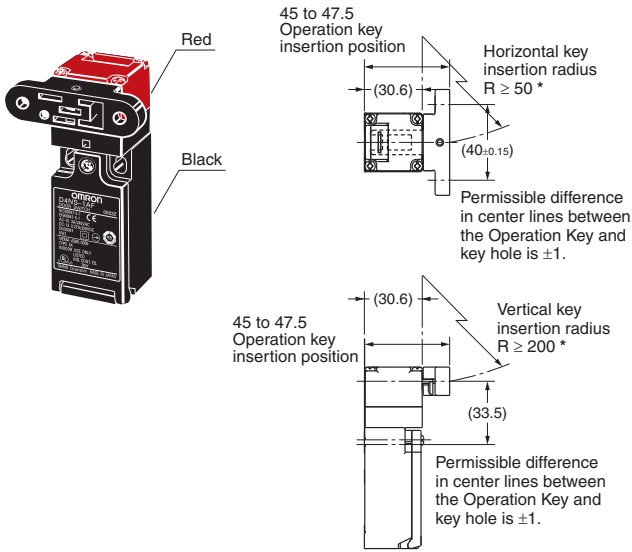
D4NS-1□F + D4DS-K2  
(with Top-inserted Operation Key)



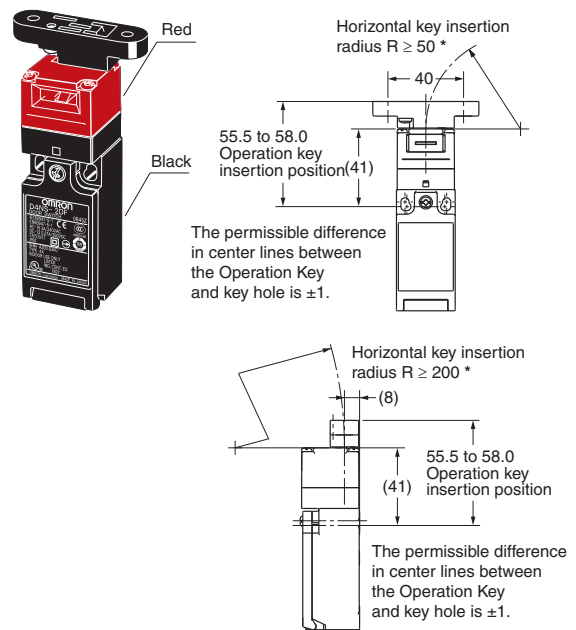
**Note:** Unless otherwise specified, a tolerance of  $\pm 0.4$  mm applies to all dimensions.

\* Insertion radii apply when the rotational center of the Operation Key is in line with a line extending from the front or top Head surface.

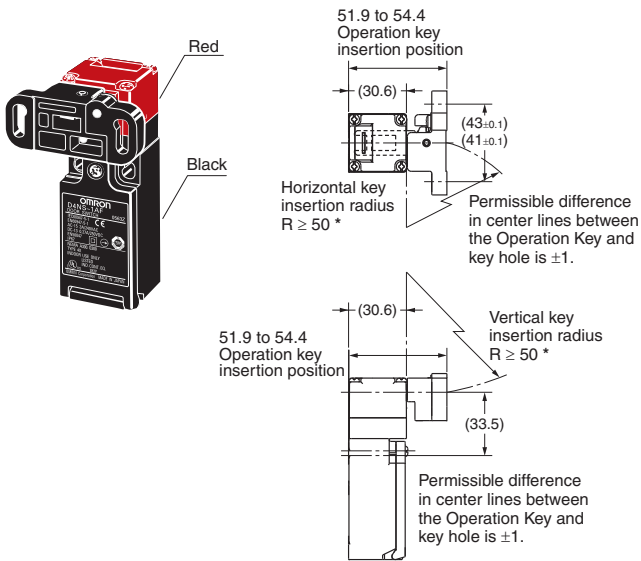
**D4NS-1□F + D4DS-K3**  
(with Front-inserted Operation Key)



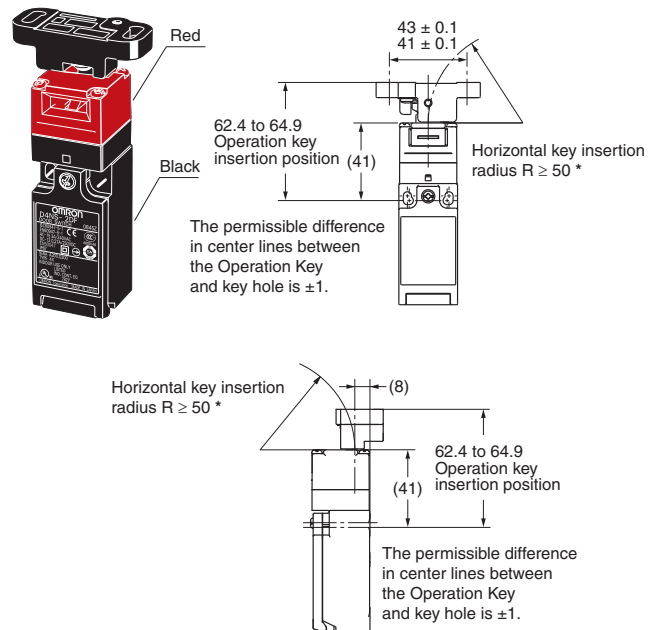
**D4NS-1□F + D4DS-K3**  
(with Top-inserted Operation Key)



**D4NS-1□F + D4DS-K5**  
(with Front-inserted Operation Key)



**D4NS-1□F + D4DS-K5**  
(with Top-inserted Operation Key)



**Note:** Unless otherwise specified, a tolerance of  $\pm 0.4$  mm applies to all dimensions.

\* Insertion radii apply when the rotational center of the Operation Key is in line with a line extending from the front or top Head surface.

## Safety Precautions

Be sure to read the precautions for **All Safety Door Switches** in the website at:<http://www.ia.omron.com/>.

### Indication and Meaning for Safe Use

<b>⚠ CAUTION</b>	Indicates a potentially hazardous situation which, if not avoided, may result in minor or moderate injury or in property damage.
<b>Precautions for Safe Use</b>	Supplementary comments on what to do or avoid doing, to use the product safely.
<b>Precautions for Correct Use</b>	Supplementary comments on what to do or avoid doing, to prevent failure to operate, or undesirable effect on product performance.

#### <Safety-door Switch D4NS>

### ⚠ CAUTION

Electric shock may occasionally occur.  
Do not use metal cable glands or metal conduits.

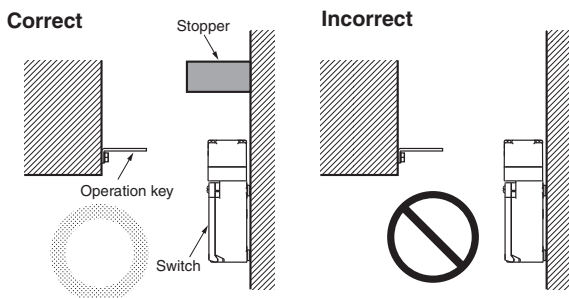


#### Precautions for Safe Use

- Do not use the Switch submerged in oil or water or in locations continuously subject to splashes of oil or water. Doing so may result in oil or water entering the Switch. (The IP67 degree of protection of the Switch specifies the amount of water penetration after the Switch is submerged in water for a certain period of time.)
- Always attach the cover after completing wiring and before using the Switch. Also, do not turn ON the Switch with the cover open. Doing so may result in electric shock.
- Do not switch circuits for two or more standard loads (250 VAC, 3 A). Doing so may adversely affect insulation performance.

### Stopper Installation

Do not use a Switch as a stopper. Be sure to install a stopper as shown in the following illustration to ensure that the base of the Operation Key does not strike the Head, and adjust the stopper to be within the setting zone (0.5 to 3 mm) of the base of the Operation Key. Do not subject the Switch to a shock that exceeds the Switch's shock resistance of 1,000 m/s<sup>2</sup>.



#### Precautions for Correct Use

The Switch contacts can be used with either standard loads or microloads. Once the contacts have been used to switch a load, however, they cannot be used to switch smaller loads. The contact surfaces will become rough once they have been used and contact reliability for smaller loads may be reduced.

### Mounting Method

#### Appropriate Tightening Torque

- Loose screws may result in malfunction.  
Be sure to tighten each screw of the Switch properly.

<b>Terminal screw</b>	0.6 to 0.8 N·m
<b>Cover mounting screw</b>	0.5 to 0.7 N·m
<b>Head mounting screw</b>	0.5 to 0.6 N·m
<b>Operation Key mounting screw</b>	2.4 to 2.8 N·m
<b>Body mounting screw</b>	0.5 to 0.7 N·m
<b>Cable gland</b>	1.8 to 2.2 N·m
<b>Cap screw</b>	1.3 to 1.7 N·m

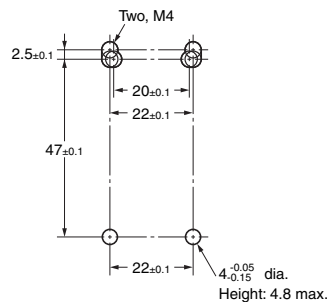
- When loosening a screw with an electrical screwdriver or similar tool while pressing down on the screw head, do not continue turning the screw past the point where the threads disengage. Doing so may strip the end of the threads.

#### Mounting Holes

- Use M4 screws and washers to mount the Switch and Operation Key, and tighten the screws to a suitable torque. To ensure safety, use screws that cannot be easily removed or another means to prevent the Switch and Operation Key from easily being removed.
- As shown below, two studs with a maximum height of 4.8 mm and a diameter of  $4_{-0.15}^{-0.05}$  mm can be provided, the studs inserted into the holes on the bottom of the Switch, and the Switch secured at four locations to increase the mounting strength.

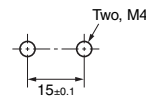
#### Switch Mounting Holes and Studs

- 1-Conduit Types

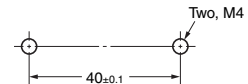


#### Operation Key Mounting Holes

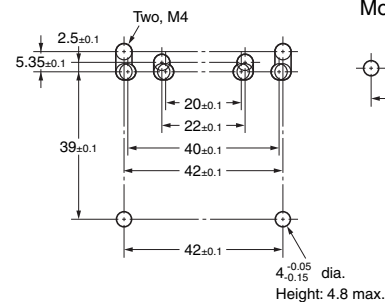
- Horizontal/Vertical Mounting (D4DS-K1/-K2)



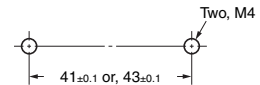
- Horizontal Adjustable Mounting (D4DS-K3)



- 2-Conduit Types



- Horizontal/Vertical Adjustable Mounting (D4DS-K5)



- Set the Operation Key so that it is within 1 mm of the center of the key hole. If the Operation Key is offset or at an angle, accelerated wear or breaking may result.
- Observe the specified insertion radius for the Operation Key and insert it in a direction perpendicular to the key hole.

## Operation Key

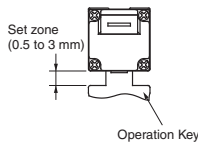
- Use only the designated Operation Key. The Head has been designed so that operation is not possible with a screwdriver or other tools. Using anything other than the designated Operation Key may damage the Switch or affect machine safety.
- Do not operate the Switch with anything other than the special OMRON Operation Key, otherwise the Switch may break or the safety of the system may not be maintained.
- Do not impose excessive force on the Operation Key while the Key is inserted into the Switch or drop the Switch with the Operation Key inserted. Doing either of these may deform the Key or break the Switch.

## Head Direction

- The rotation of the Switch head may be adjusted to any of the four directions by loosening the head mounting screws at the four corners of the head. Make sure that no foreign materials enter through the head.
- Do not insert or remove the Operation Key with the Switch head removed. Doing so may make it impossible to insert the Operation Key.

## Securing the Door

When the door is closed (with the Operation Key inserted), the Operation Key may exceed the set zone because of, for example, the door's own weight, machine vibration, or the door cushion rubber. Secure the door with a stopper so that the Operation Key remains within the set zone.

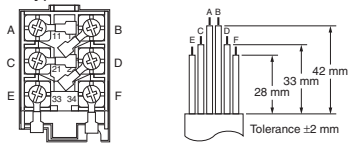


## Wiring

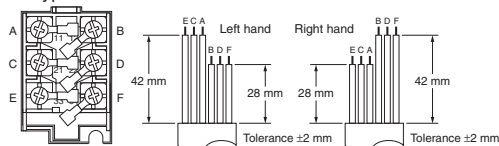
### Wiring

- When connecting with insulation tubes and M3.5 crimp terminals, connect the terminals as shown in the following figure and wire without overriding to the case and the cover. Adequate conductor size is AWG 20 to AWG18 (0.5 to 0.75 mm<sup>2</sup>). Prepare lead wires using the lengths given in the following diagrams. If lead wires are too long, they will press against the cover causing the cover to not close properly.

#### 1-Conduit Types with 3 Poles



#### 2-Conduit Types with 3 Poles



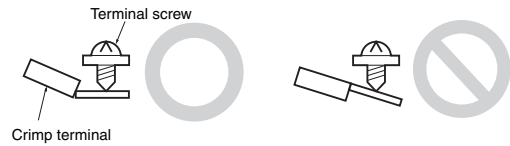
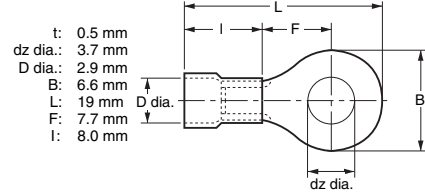
- Do not push the crimp terminal and the likes into the opening between the parts to prevent the case from being broken and deformed.
- Use terminals having the thickness of 0.5 mm or less to avoid the contact between the terminal and the Switch case inside.

## <Reference>

The crimp terminals listed below have a thickness of 0.5 mm or less.

Manufacture	Type
J.S.T. Mfg Co.	FN0.5-3.7 (F Type)
	N0.5-3.7 (Straight Type)

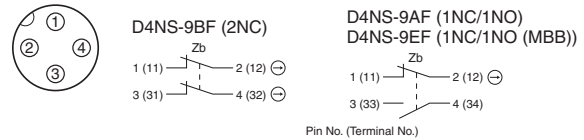
J.S.T is a Japanese manufacturer.



Correct

Incorrect

## Pin arrangement of connector type



- Suitable socket is XS2F-D421 series (OMRON).
- Refer to the Connector Catalog for corresponding Socket pin numbers and lead wire colors.

## Socket Tightening (Models with Connectors)

- Turn the tightening screws on the Socket by hand and tighten them until the gap between the Socket and Plug essentially disappears.
- Make sure that the Socket's connector is tightened securely, otherwise the rated degree of protection (IP67) of the D4NS may not be maintained, or the Socket connector may be loosened by vibration.

## Conduit Outlet

- Use a cable conforming to the diameter of the cable gland to be used.
- When wiring, place the enclosed cap screw on unused conduit outlets (for 2-Conduit Types) and tighten them to the suitable tightening torque.

## Cable Gland

- Use a commercially available cable gland.
- Use the cable gland with thread section of 9 mm long or less.

<Slide Keys D4NS-SK01/SK30>

**CAUTION**

Incorrect operation may cause injury. Also, the product is designed to be mounted so that it slides horizontally. Do not mount the product in a vertically sliding configuration. (excluding the D4NS-SK01)



**Precautions for Safe Use**

- Do not drop the Switch. Doing so may prevent the Switch from functioning to full capacity.
- Mount the Switch securely to prevent it from falling. Otherwise, injuries may occur.
- Do not attempt to disassemble or modify the Switch. Doing so may cause the Switch to malfunction.
- Make sure that the gap between the short bolt and guide is ( $\pm 3$  mm). Otherwise, excessive wear or damage may cause malfunction.
- To ensure safety, do not operate the Switch with anything other than a Slide Key.
- Be careful to avoid pinching your hand when operating the Switch.
- Be sure to mount the Switch protective cover. Otherwise, your hand may be injured by being pinched between the shot bolt and Switch when closing the door with your hand on the Switch.
- When opening the door, be sure to lower the disable-prevention cover into position, attach a padlock, or take other steps to prevent other people from operating the Switch.
- The durability of the Switch is greatly influenced by the switching conditions. Always test the Switch under actual working conditions before application and use it in a switching circuit for which there are no problems with performance.
- The user must not maintain or repair equipment incorporating the Switch. Contact the manufacturer of the equipment for any maintenance or repairs required.
- Do not shut the door while the shot bolt is extended. The Switch may be damaged, preventing proper operation.
- Do not apply excessive force in the direction of the slide. This may damage the product and cause it to malfunction.

**Precautions for Correct Use**

- Insert the slide handle until the red operation indicator is completely displayed in the operation display window.



Normal



Insufficient insertion

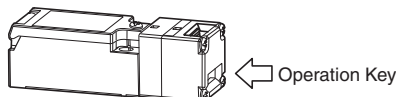
Operation display window

- Loose screws may result in malfunction. Use washers and tighten the screws to the specified torques. Also, when mounting the Switch to a door for disable-prevention purposes, purchase and use tamper-resistant screws.

**Tightening Torque**

Slide Key mounting screw (M6)	6.0 to 7.0 N·m
Switch mounting screw (included with product)	0.5 to 0.7 N·m
Switch protective cover mounting screw (included with product)	1.2 to 1.4 N·m
Lever mounting screw (included with product)	1.2 to 1.4 N·m

- Use the D4NS-SK30 only with the D4NS Safety-door Switch head in the direction shown below.



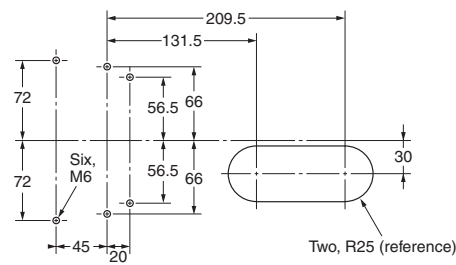
**Technical Specifications**

	D4NS-SK30
Ambient operating temperature	-10 to 55°C (with no icing)
Ambient operating humidity	95% max.
Mechanical durability	20,000 operations min.
Weight	Approx. 2.8 kg (not including D4NS Safety-door Switch)

- Do not store the Switch where corrosive gases (e.g., H<sub>2</sub>S, SO<sub>2</sub>, NH<sub>3</sub>, HNO<sub>3</sub>, or Cl<sub>2</sub>) or dust are present, or in locations subject to high temperature or humidity.
- Perform maintenance inspections periodically.
- This product is for use only with OMRON Safety-door Switches. Do not use it with door switches made by other manufacturers.

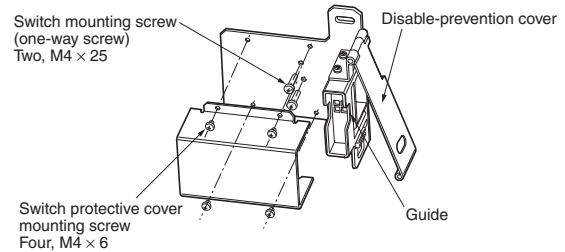
**Mounting Holes (Unit: mm)**

**D4NS-SK30**

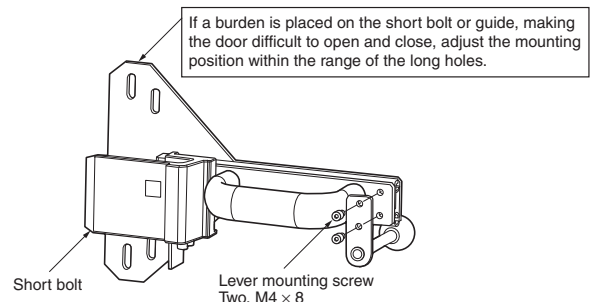


**Assembly**

**Switch part D4NS-SK30**



**Handle part D4NS-SK30**



- Use the supplied special screws to mount the operation key and D4NS Guard Lock Safety-door Switch.
- To tighten the screws, use the tip of a flat-head screwdriver on the screw heads as shown in the following figure.



**Note:** The special screws are designed so that they cannot be turned counter-clockwise using a flat-head screwdriver.

- The special screws cannot be removed once they are tightened.

## Terms and Conditions Agreement

### Read and understand this catalog.

Please read and understand this catalog before purchasing the products. Please consult your OMRON representative if you have any questions or comments.

### Warranties.

(a) Exclusive Warranty. Omron's exclusive warranty is that the Products will be free from defects in materials and workmanship for a period of twelve months from the date of sale by Omron (or such other period expressed in writing by Omron). Omron disclaims all other warranties, express or implied.

(b) Limitations. OMRON MAKES NO WARRANTY OR REPRESENTATION, EXPRESS OR IMPLIED, ABOUT NON-INFRINGEMENT, MERCHANTABILITY OR FITNESS FOR A PARTICULAR PURPOSE OF THE PRODUCTS. BUYER ACKNOWLEDGES THAT IT ALONE HAS DETERMINED THAT THE PRODUCTS WILL SUITABLY MEET THE REQUIREMENTS OF THEIR INTENDED USE.

Omron further disclaims all warranties and responsibility of any type for claims or expenses based on infringement by the Products or otherwise of any intellectual property right. (c) Buyer Remedy. Omron's sole obligation hereunder shall be, at Omron's election, to (i) replace (in the form originally shipped with Buyer responsible for labor charges for removal or replacement thereof) the non-complying Product, (ii) repair the non-complying Product, or (iii) repay or credit Buyer an amount equal to the purchase price of the non-complying Product; provided that in no event shall Omron be responsible for warranty, repair, indemnity or any other claims or expenses regarding the Products unless Omron's analysis confirms that the Products were properly handled, stored, installed and maintained and not subject to contamination, abuse, misuse or inappropriate modification. Return of any Products by Buyer must be approved in writing by Omron before shipment. Omron Companies shall not be liable for the suitability or unsuitability or the results from the use of Products in combination with any electrical or electronic components, circuits, system assemblies or any other materials or substances or environments. Any advice, recommendations or information given orally or in writing, are not to be construed as an amendment or addition to the above warranty.

See <http://www.omron.com/global/> or contact your Omron representative for published information.

### Limitation on Liability: Etc.

OMRON COMPANIES SHALL NOT BE LIABLE FOR SPECIAL, INDIRECT, INCIDENTAL, OR CONSEQUENTIAL DAMAGES, LOSS OF PROFITS OR PRODUCTION OR COMMERCIAL LOSS IN ANY WAY CONNECTED WITH THE PRODUCTS, WHETHER SUCH CLAIM IS BASED IN CONTRACT, WARRANTY, NEGLIGENCE OR STRICT LIABILITY.

Further, in no event shall liability of Omron Companies exceed the individual price of the Product on which liability is asserted.

### Suitability of Use.

Omron Companies shall not be responsible for conformity with any standards, codes or regulations which apply to the combination of the Product in the Buyer's application or use of the Product. At Buyer's request, Omron will provide applicable third party certification documents identifying ratings and limitations of use which apply to the Product. This information by itself is not sufficient for a complete determination of the suitability of the Product in combination with the end product, machine, system, or other application or use. Buyer shall be solely responsible for determining appropriateness of the particular Product with respect to Buyer's application, product or system. Buyer shall take application responsibility in all cases.

NEVER USE THE PRODUCT FOR AN APPLICATION INVOLVING SERIOUS RISK TO LIFE OR PROPERTY OR IN LARGE QUANTITIES WITHOUT ENSURING THAT THE SYSTEM AS A WHOLE HAS BEEN DESIGNED TO ADDRESS THE RISKS, AND THAT THE OMRON PRODUCT(S) IS PROPERLY RATED AND INSTALLED FOR THE INTENDED USE WITHIN THE OVERALL EQUIPMENT OR SYSTEM.

### Programmable Products.

Omron Companies shall not be responsible for the user's programming of a programmable Product, or any consequence thereof.

### Performance Data.

Data presented in Omron Company websites, catalogs and other materials is provided as a guide for the user in determining suitability and does not constitute a warranty. It may represent the result of Omron's test conditions, and the user must correlate it to actual application requirements. Actual performance is subject to the Omron's Warranty and Limitations of Liability.

### Change in Specifications.

Product specifications and accessories may be changed at any time based on improvements and other reasons. It is our practice to change part numbers when published ratings or features are changed, or when significant construction changes are made. However, some specifications of the Product may be changed without any notice. When in doubt, special part numbers may be assigned to fix or establish key specifications for your application. Please consult with your Omron's representative at any time to confirm actual specifications of purchased Product.

### Errors and Omissions.

Information presented by Omron Companies has been checked and is believed to be accurate; however, no responsibility is assumed for clerical, typographical or proofreading errors or omissions.