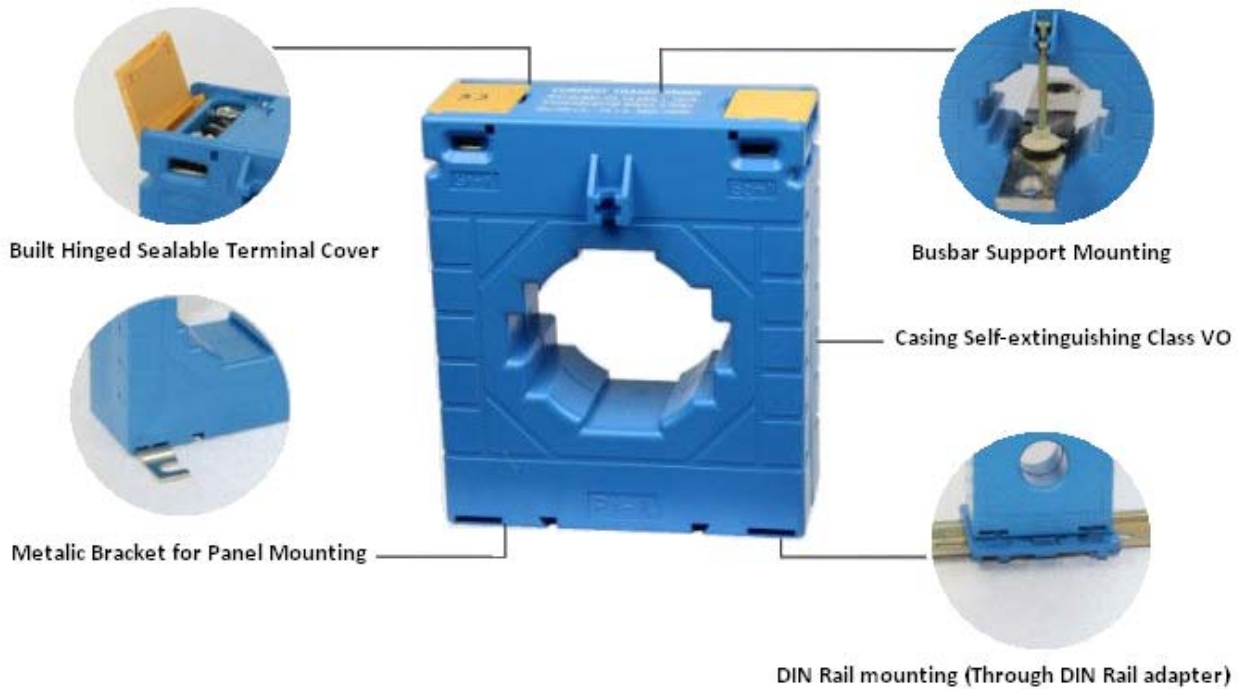


MES Current Transformers

A range of 8 frame sizes, compact in design, plastic case current transformers.

The volume is much smaller than other models, fitted with integral hinged terminal covers.

Mounting is via DIN rail mounting, Foot Mounting or Busbar Mounting clips



Primary Current: 5A-3000A

Secondary Current: 5A, 1A

Standard Approval: VDE0414, BS7626, IEC44-1

Maximum Voltage: 0.72/3Kv

Frequency: 50-60Hz

Rated load: 2.5VA, 5VA, 10VA, 15VA

Class: 0.5, 1.0

Short time thermal current: $I_{th}=60 \times I_n$

Rated security coefficient: $FS < 5$



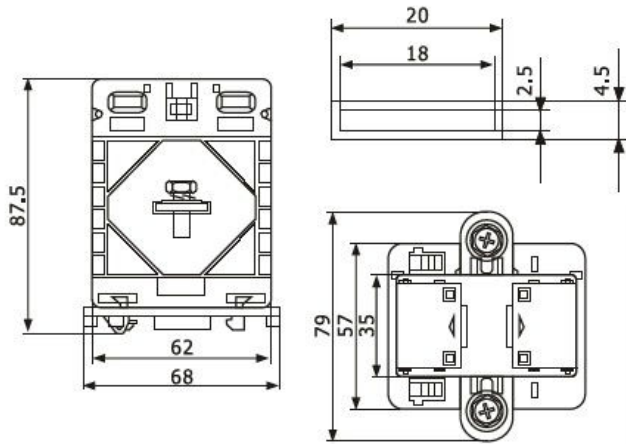
Let your need be our challenge

Stemar Electrical Products Pty. Ltd.

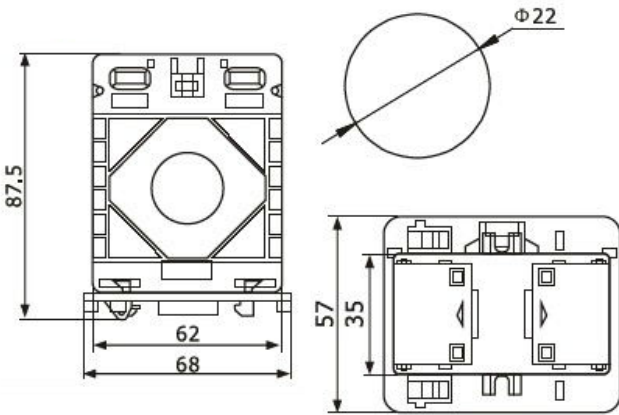


**Phone: +61 2 9771 2100 Fax: +61 2 9774 5585 Email: sales@stemar.com.au Web: www.stemar.com.au
243 Milperra Rd, P.O. Box 538 REVESBY, NSW 2212 Australia**

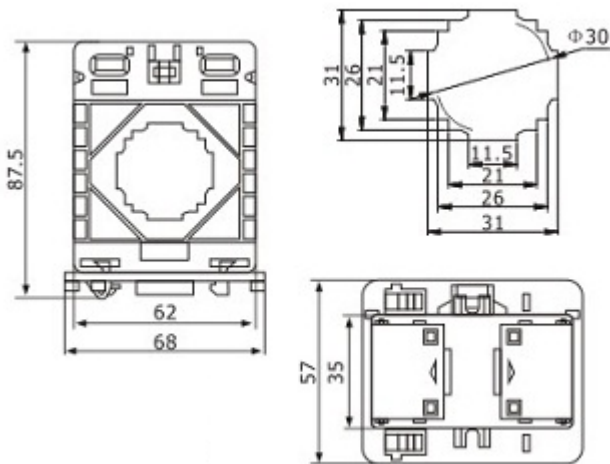
MES Current Transformers



Type	Rated Current (A)	Rated Power (VA)	
		Class: 0.5	Class:1.0
MES-62/20B	5/5	1.5	2.5
	10/5	1.5	2.5
	15/5	1.5	2.5
	20/5	1.5	2.5
	25/5	1.5	2.5
	30/5	1.5	2.5
	40/5	1.5	2.5
	50/5	1.5	2.5
	60/5	1.5	2.5
	75/5	1.5	2.5
	100/5	1.5	2.5
	150/5	1.5	2.5



Type	Rated Current (A)	Rated Power (VA)	
		Class: 0.5	Class:1.0
MES-62/20	30/5	-	2.5
	40/5	-	2.5
	50/5	-	2.5
	60/5	-	2.5
	75/5	-	1.5
	80/5	-	2.5
	100/5	1.5	2.5
	150/5	2.5	3.75
	200/5	3.75	5



Type	Rated Current (A)	Rated Power (VA)	
		Class: 0.5	Class:1.0
MES-62/30	30/5	-	2.5
	40/5	-	2.5
	50/5	-	2.5
	60/5	-	2.5
	75/5	-	1.5
	100/5	1.5	2.5
	150/5	2.5	3.75
	200/5	3.75	5



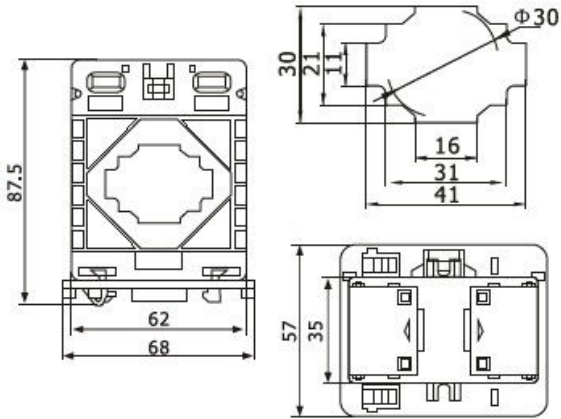
Let your need be our challenge

Stemar Electrical Products Pty. Ltd.

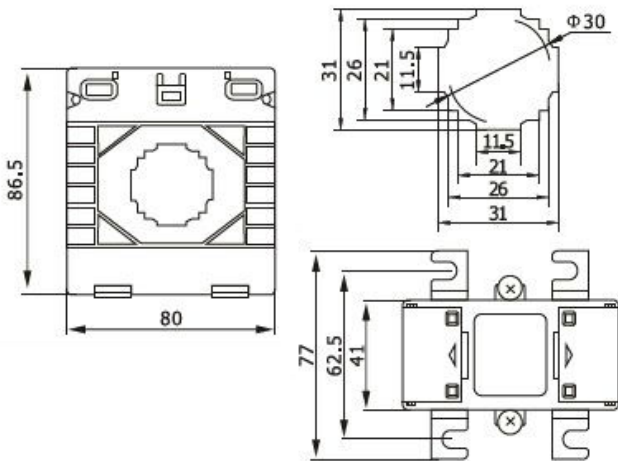


Phone: +61 2 9771 2100 Fax: +61 2 9774 5585 Email: sales@stemar.com.au Web: www.stemar.com.au
 243 Milperra Rd, P.O. Box 538 REVESBY, NSW 2212 Australia

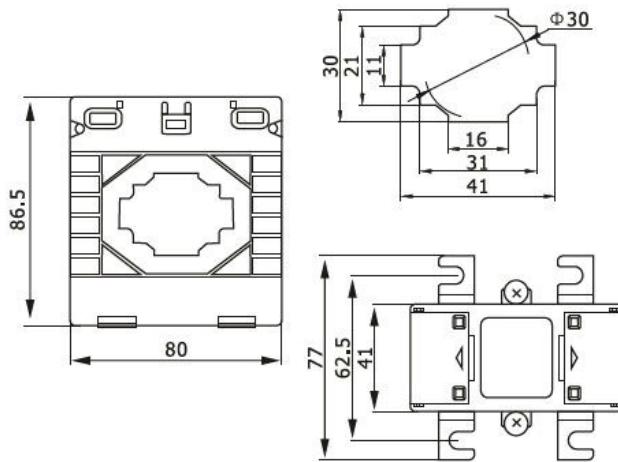
MES Current Transformers



Type	Rated Current (A)	Rated Power (VA)	
		Class: 0.5	Class:1.0
MES-62/40	60/5	-	1.5
	75/5	-	1.5
	100/5	-	1.5
	150/5	-	2.5
	200/5	2.5	3.75
	250/5	2.5	3.75
	300/5	3.75	5



Type	Rated Current (A)	Rated Power (VA)	
		Class: 0.5	Class:1.0
MES-80/30	30/5	-	2.5
	50/5	-	2.5
	60/5	-	2.5
	75/5	-	1.5
	100/5	-	2.5
	150/5	2.5	3.75
	200/5	5	5



Type	Rated Current (A)	Rated Power (VA)	
		Class: 0.5	Class:1.0
MES-80/40	100/5	-	2.5
	150/5	2.5	3.75
	200/5	3.75	5
	250/5	3.75	5
	300/5	5	5
	400/5	5	10
	500/5	5	10



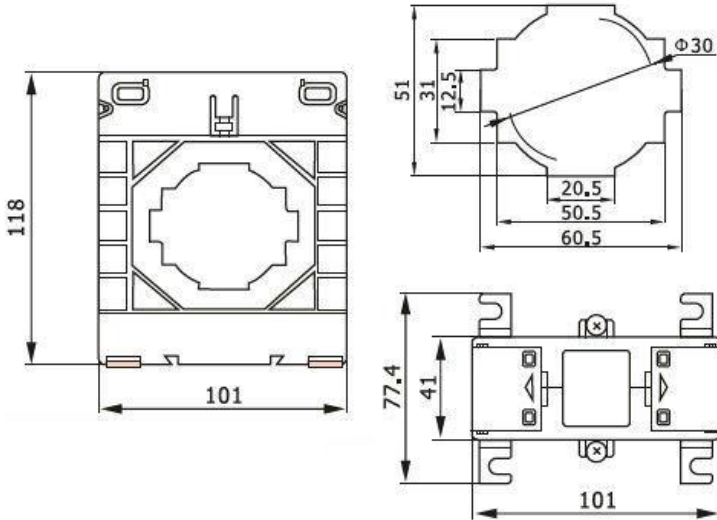
Let your need be our challenge

Stemar Electrical Products Pty. Ltd.

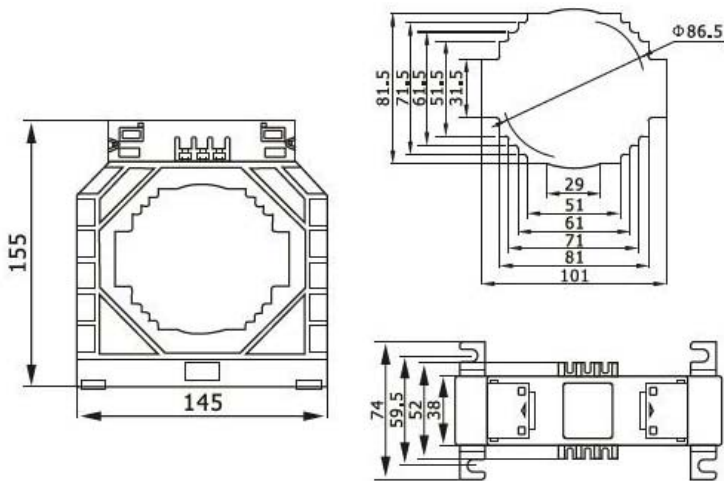


Phone: +61 2 9771 2100 Fax: +61 2 9774 5585 Email: sales@stemar.com.au Web: www.stemar.com.au
243 Milperra Rd, P.O. Box 538 REVESBY, NSW 2212 Australia

MES Current Transformers



Type	Rated Current (A)	Rated Power (VA)	
		Class: 0.5	Class:1.0
MES-100/60	600/5	10	15
	800/5	10	15
	1000/5	10	20
	1200/5	15	20



Type	Rated Current (A)	Rated Power (VA)	
		Class: 0.5	Class:1.0
MES-145/100	1000/5	15	20
	1200/5	15	20
	1500/5	15	20
	1600/5	15	20
	2000/5	15	25
	2500/5	15	25
	3000/5	15	25



Let your need be our challenge

Stemar Electrical Products Pty. Ltd.



Phone: +61 2 9771 2100 Fax: +61 2 9774 5585 Email: sales@stemar.com.au Web: www.stemar.com.au
243 Milperra Rd, P.O. Box 538 REVESBY, NSW 2212 Australia