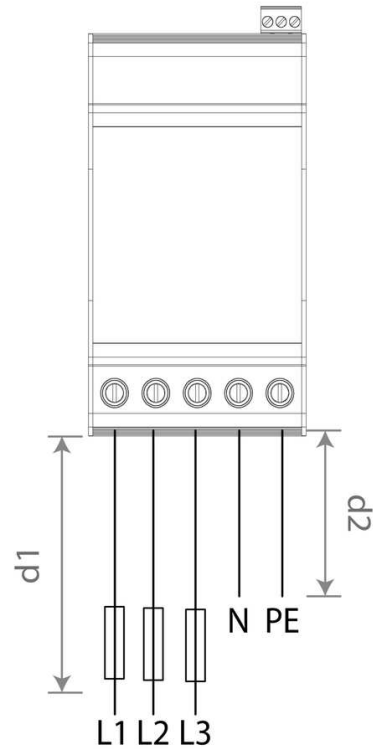


Install Manual

SDN3-100-275

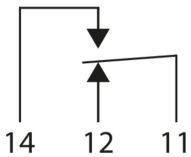


Installation



$$d1 + d2 \leq 0,5m$$

Alarm

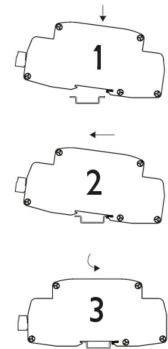


11-12 open	✓
11-14 closed	✓
11-12 closed	✗
11-14 open	✗

Terminal Information

Terminal Type		
min Capacity	2.5 mm ²	0.5 mm ²
max Capacity	16 mm ²	2.5 mm ²
Torque	2 Nm	0.6 Nm
Wire Striping Length		

Mounting Information



Electrical Specifications

Connection type		Shunt
Modes of protection		L-N, N-PE
Number of ports		1
Location		Indoor
Short circuit withstand level	I_{SSCR}	25kA
Maximum backup fuse		63A
Recommended SCB		SCB1-3-80
Earth leakage current	I_{PE}	<10μA

Mechanical Specifications

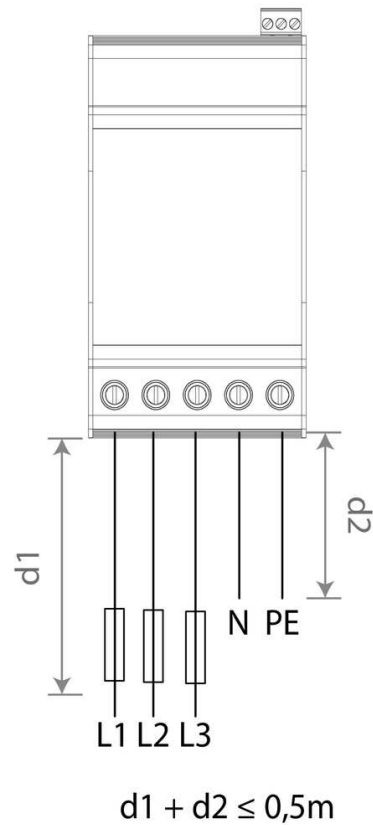
Minimum operating temperature		-40°C
Maximum operating temperature		70°C
Minimum operating humidity		5%
Maximum operating humidity		95%
Mounting method		TS35 DIN Rail/Optional Panel kit
Environmental rating		IP20

Install Manual

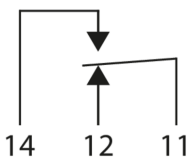
SDN3-100-475-NE150



Installation



Alarm

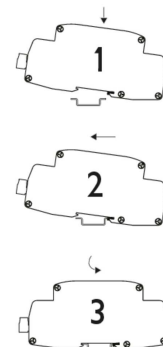


11-12 open	✓
11-14 closed	✓
11-12 closed	✗
11-14 open	✗

Terminal information

Terminal Type		
min Capacity	2.5 mm ²	0.5 mm ²
max Capacity	16 mm ²	2.5 mm ²
Torque	2 Nm	0.6 Nm
Wire Striping Length		

Mounting information



Electrical Specifications

Connection type		Shunt
Modes of protection		L-N, N-PE
Number of ports		1
Location		Indoor
Short circuit withstand level	I_{SSCR}	25kA
Maximum backup fuse		63A
Recommended SCB		SCB1-3-25
Earth leakage current	I_{PE}	<10μA

Mechanical Specifications

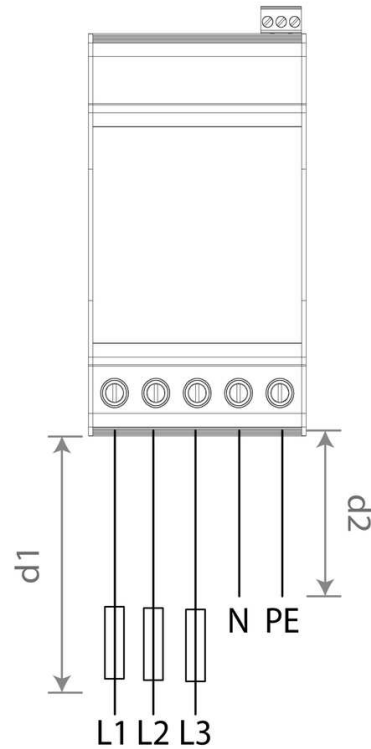
Minimum operating temperature		-40°C
Maximum operating temperature		70°C
Minimum operating humidity		5%
Maximum operating humidity		95%
Mounting method		TS35 DIN Rail
Environmental rating		IP20

Install Manual

SDN3-150-275

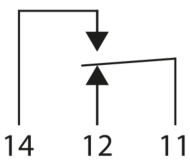


Installation



$$d1 + d2 \leq 0,5m$$

Alarm

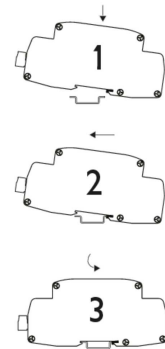


11-12 open	✓
11-14 closed	✓
11-12 closed	✗
11-14 open	✗

Terminal Information

Terminal Type		
min Capacity	2.5 mm ²	0.5 mm ²
max Capacity	16 mm ²	2.5 mm ²
Torque	2 Nm	0.6 Nm
Wire Striping Length		

Mounting Information



Electrical Specifications

Connection type		Shunt
Modes of protection		L-N, N-PE
Number of ports		1
Location		Indoor
Short circuit withstand level	I_{SSCR}	25kA
Maximum backup fuse		80A
Recommended SCB		SCB1-3-25
Earth leakage current	I_{PE}	<10μA

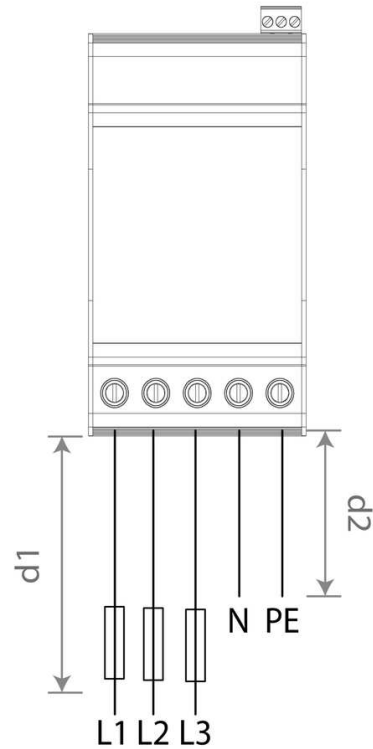
Mechanical Specifications

Minimum operating temperature		-40°C
Maximum operating temperature		70°C
Minimum operating humidity		5%
Maximum operating humidity		95%
Mounting method		TS35 DIN Rail/Optional Panel kit
Environmental rating		IP20

SDN3-200-275

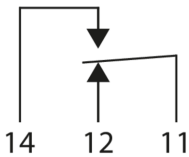


Installation



$$d1 + d2 \leq 0,5m$$

Alarm

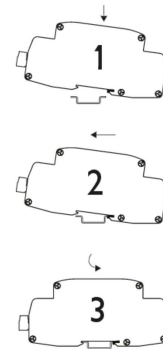


11-12 open	✓
11-14 closed	✓
11-12 closed	✗
11-14 open	✗

Terminal Information

Terminal Type		
min Capacity	2.5 mm ²	0.5 mm ²
max Capacity	16 mm ²	2.5 mm ²
Torque	2 Nm	0.6 Nm
Wire Striping Length		

Mounting Information



Electrical Specifications

Connection type		Shunt
Modes of protection		L-N, N-PE
Number of ports		1
Location		Indoor
Short circuit withstand level	I_{SSCR}	50kA
Maximum backup fuse		100A
Recommended SCB		SCB1-3-25
Earth leakage current	I_{PE}	<10μA

Mechanical Specifications

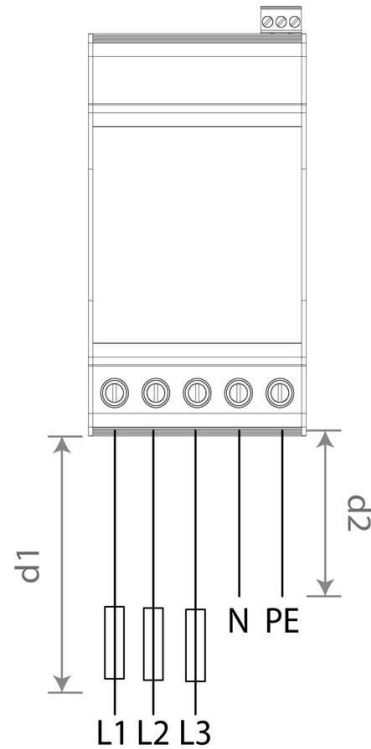
Minimum operating temperature		-40°C
Maximum operating temperature		70°C
Minimum operating humidity		5%
Maximum operating humidity		95%
Mounting method		TS35 DIN Rail/Optional Panel kit
Environmental rating		IP20

Install Manual

SDN3-200-475-NE150

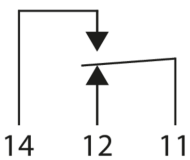


Installation



$$d1 + d2 \leq 0,5m$$

Alarm

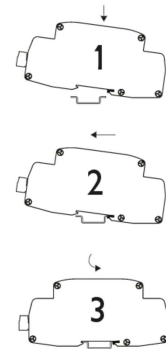


11-12 open	✓
11-14 closed	✓
11-12 closed	✗
11-14 open	✗

Terminal information

Terminal Type		
min Capacity	2.5 mm ²	0.5 mm ²
max Capacity	16 mm ²	2.5 mm ²
Torque	2 Nm	0.6 Nm
Wire Striping Length		

Mounting information



Electrical Specifications

Connection type		Shunt
Modes of protection		L-N, N-PE
Number of ports		1
Location		Indoor
Short circuit withstand level	I_{SSCR}	50kA
Maximum backup fuse		63A
Recommended SCB		SCB1-3-25
Earth leakage current	I_{PE}	<10μA

Mechanical Specifications

Minimum operating temperature		-40°C
Maximum operating temperature		70°C
Minimum operating humidity		5%
Maximum operating humidity		95%
Mounting method		TS35 DIN Rail
Environmental rating		IP20